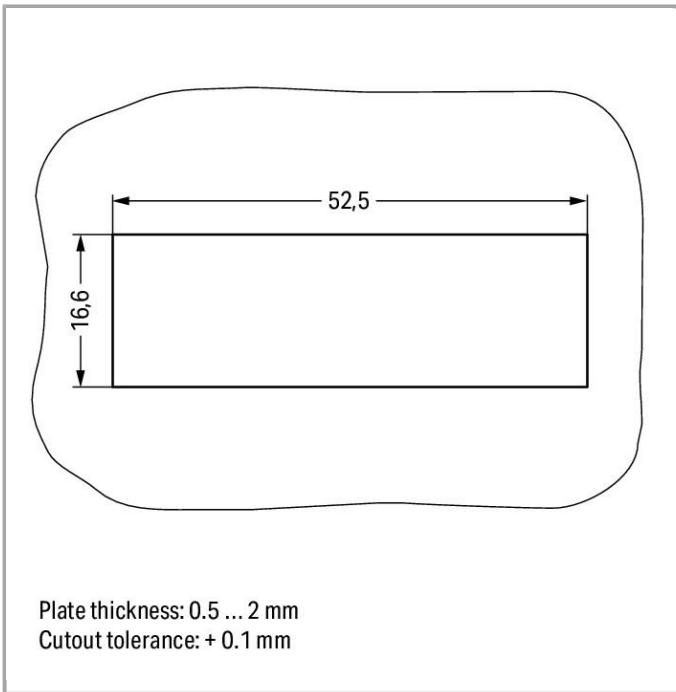
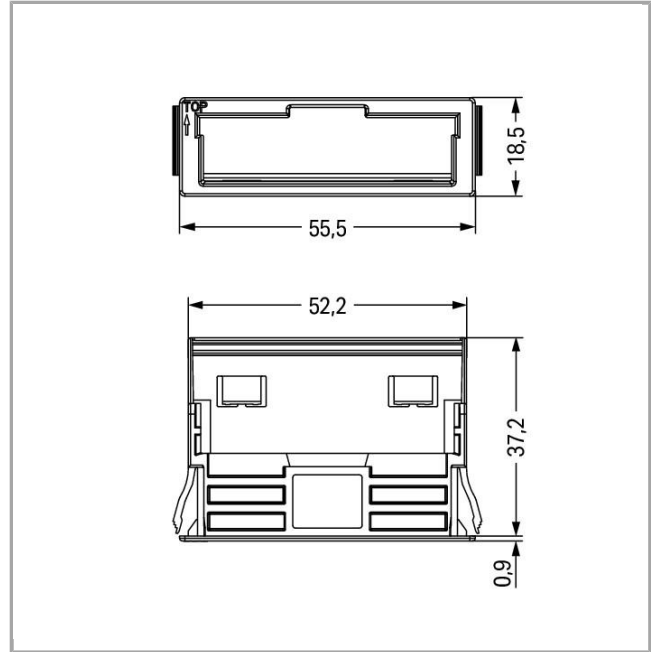
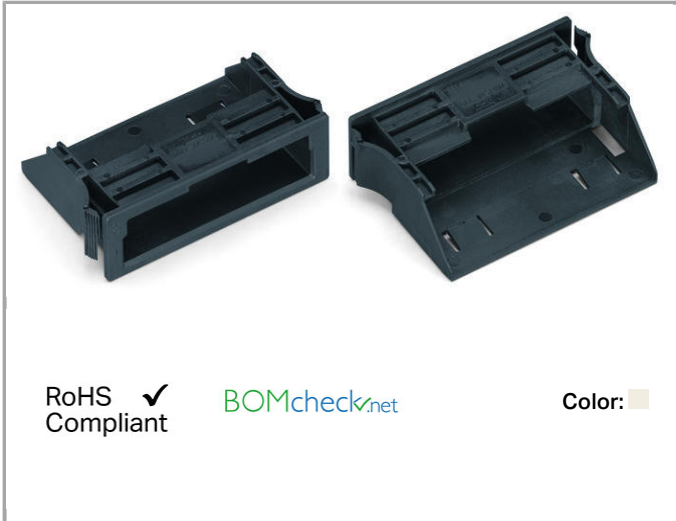


770-341



Data
Geometrical Data

Width 55.5 mm / 2.185 inch

Height	18.5 mm / 0.728 inch
Depth	38.7 mm / 1.524 inch

Mechanical data

Gehäuseblechstärke	0.5 2 mm / 0.02 0.079 inch
Mounting type	Snap-in

Material Data

Color	white
Insulating material	Polyamide 66 (PA 66)
Flammability class per UL94	V0
Fire load	0.167 MJ
Weight	5.58 g

Environmental Requirements


Processing temperature	-5 +40 °C
Continuous operating temperature	-35 +85 °C
Note on Continuous Service Temperature	Insulating parts for temperatures ≤ 105 °C

Commercial data


Product Group	20 (WINSTA)
Country of origin	DE
GTIN	4050821623427
Customs Tariff No.	39269097900

Approvals / Certificates

Country specific Approvals

Logo	Approval	Additional Approval Text	Certificate name
	LR Lloyds Register	IEC 61984	02/20050 (E6)

Ship Approvals

Logo	Approval	Additional Approval Text	Certificate name
	LR Lloyds Register	IEC 61984	02/20050 (E6)

Compatible products

Locking lever



Item no.: 770-140

Locking lever; for sockets; for manual operation; gray

770-140

Downloads

Documentation

Bid Text

770-341

doc
24.1 kB

Download

CAD/CAE - Smart Data

WSCAD

WSCAD Universe

Download

Subject to changes.